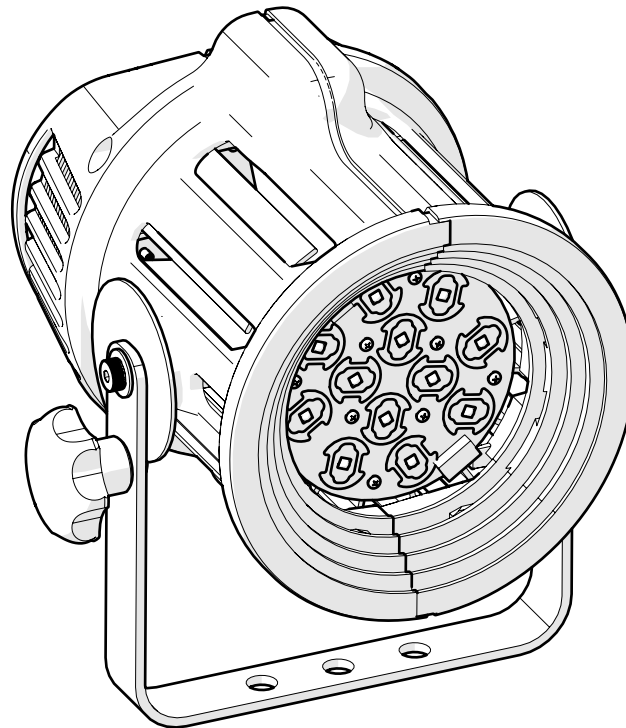




Installation Instructions / Owner's Manual Novara™ LED Light Fixture



Contents

Important User Information	2	Troubleshooting	10
Safety Precautions	2	Introduction	10
Light Fixture Installation	3	Verify Power Distribution	10
Light Fixture Electrical Connection	8	Verify DMX Communication	12
Adjustment and Aiming	9		
Additional Information	9		
Care and Maintenance	9		
Storage Information	9		



Novara helpline number +1-315-883-2434

Visit the Novara LED Light Fixture web page at wengercorp.com for more information.

Note: Please read and understand these instructions before installing or operating.

Note: If you need additional information, contact Wenger Corporation using the information below.

Important User Information

General

Copyright © 2023 by Wenger Corporation

All rights reserved. No part of the contents of this manual may be reproduced, copied, or transmitted in any form or by any means including graphic, electronic, or mechanical methods or photocopying, recording, or information storage and retrieval systems without the written permission of the publisher, unless it is for the purchaser's personal use.

Printed and bound in the United States of America.

The information in this manual is subject to change without notice and does not represent a commitment on the part of Wenger Corporation. Wenger Corporation does not assume any responsibility for any errors that may appear in these instructions.

In no event will Wenger Corporation be liable for technical or editorial omissions made herein, nor for direct, indirect, special, incidental, or consequential damages resulting from the use or defect of these instructions. The manufacturer reserves the right to change this product at any time.

The information in this document is not intended to cover all possible conditions and situations that might occur. The end user must exercise caution and common sense when assembling or installing Wenger Corporation products. If any questions or problems arise, call the Wenger Corporation at (800) 4WENGER (493-6437) or +1-507-455-4100 worldwide.

Manufacturer

The Novara™ LED Light Fixture is manufactured by:
Wenger Corporation
555 Park Drive
Owatonna, MN 55060
(800) 4WENGER (493-6437) • +1 (507) 455-4100
wengercorp.com

Intended Use

- This product is designed to be used in Wenger Acoustical Shells.
- The fixture is not designed for use in environments that have any of the following:
 - Damp or wet conditions IP20 rated
 - Corrosive atmospheres
 - Oil and/or chemical vapors
 - Excessive dust or explosive gases
 - Excessive heat or exposure to areas with high temperatures
 - Exposure to surges in electrical power
- This product must be installed according to the procedures in this document.

Installation

- This installation and use must comply with local regulations and codes.
- All personnel (including all temporary workers) must read and understand these instructions.

Warranty

This product is guaranteed free of defects in materials and workmanship for three full years from date of shipment. A full warranty statement is available upon request.

Safety Precautions

Throughout this document you may find cautions and warnings which are defined as follows:

- **WARNING:** Failure to follow the instruction could result in serious injury or damage to property.
- **CAUTION:** Failure to follow the instruction could result in minor injury or damage to property.

Read all of these safety instructions before using the equipment.

<p>⚠ WARNING</p> <p><i>Make sure that anyone working with the Novara LED light fixture has read and understands these instructions.</i></p>	<p>⚠ WARNING</p> <p><i>Failure to comply with Warnings and Cautions in this document can result in damage to property or serious injury.</i></p>	<p>⚠ WARNING</p> <p><i>Always observe and comply with the Warnings and Cautions posted on the system equipment.</i></p>
--	---	--

Light Fixture Installation



**If the light must be installed, use the following procedure.
For light use and troubleshooting, go to page 8.**

1. Lower the ceiling row to the stage floor in the vertical storage position.
2. Disconnect power to the ceiling row.



3. Unplug the first light fixture from the ceiling raceway.



4. Disconnect the light fixture from the tilt switch.
 - a. Remove the plug from the tilt switch junction box to the wire raceway.
 - b. Unplug and remove the plug from the tilt switch junction box to the light fixture.
Cut the cord if a plug is not present.



Light Fixture Installation (continued)

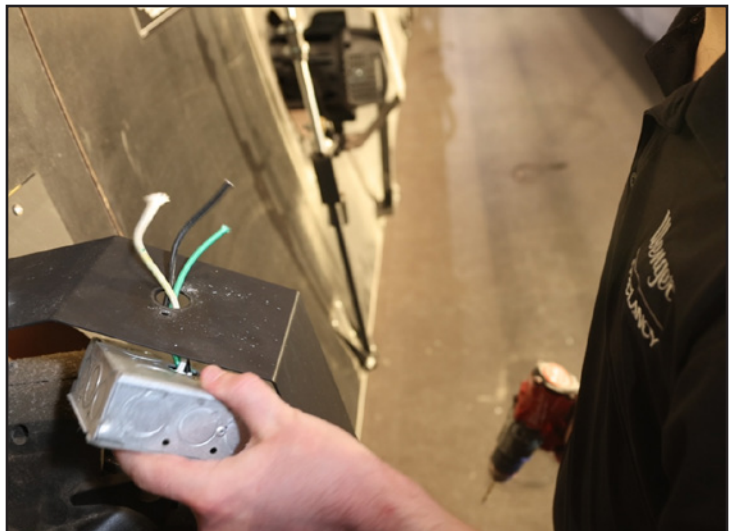
5. Remove the junction box.
 - a. Remove the strain relief that passes through the rear of the junction box and light mounting bracket.



- b. Drill/remove the rivets securing the junction box.



- c. Remove and discard the junction box.



Light Fixture Installation (continued)

6. This step requires two people!

One person unbolts the incandescent light fixture from the light mounting bracket while one person removes the light fixture through the hole in the panel.



7. This step requires two people!

One person inserts the Novara light fixture through the hole in the panel while one person loosely attaches it to the light mounting bracket using the new hardware.

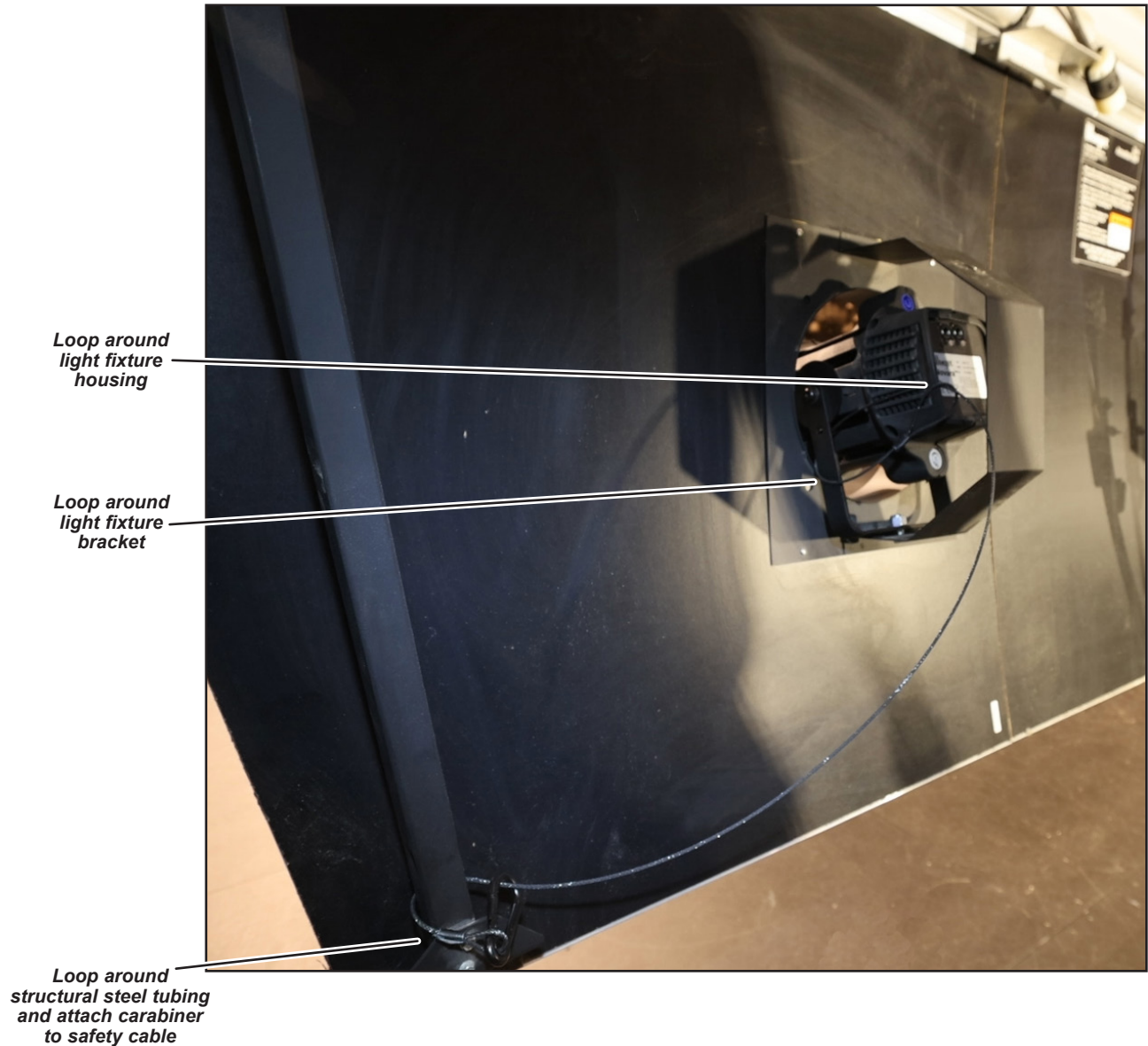
Leave loose for attaching power and data cables.



Leave hardware loose —

Light Fixture Installation (continued)

8. Connect the safety cable to the first light fixture and the ceiling structural tubing.
 - a. The safety cable should capture both the fixture housing and fixture yoke by passing the carabiner through the pigtail in the safety cable.
 - b. The cable should then be wrapped around the structural steel tubing and the carabiner secured back to the safety cable.



9. Repeat steps 2-8 for the rest of the light fixtures in the ceiling row.

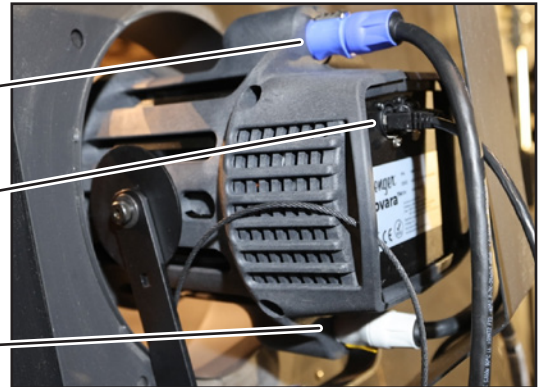
Light Fixture Installation (continued)

10. Connect the DMX and powerCON cables between all the light fixtures in the ceiling row.

*powerCON
Connection*

*DMX
Connection*

*powerCON
Connection*



11. Connect the house DMX to the first light fixture.

*House
DMX*



12. Attach a DMX terminator to the last light fixture in the ceiling row.

13. Tighten the hardware attached in Step 7 at each light.

*DMX
Terminator*



14. For cable management, use zip ties to secure the cables to a nearby bowstring.

15. Program the address for each light fixture in the ceiling row.

*Secure to
bowstring*



Light Fixture Electrical Connection

Novara LED Light Fixture Electrical Connection

1. Ensure the light fixture power source is compliant with local electrical codes.
2. Connect the powerCON and RJ-45 or XLR DMX cables to the corresponding ports on the first light fixture control box.
3. Connect the powerCON and RJ-45 or XLR DMX cable to the next light fixture in the row.

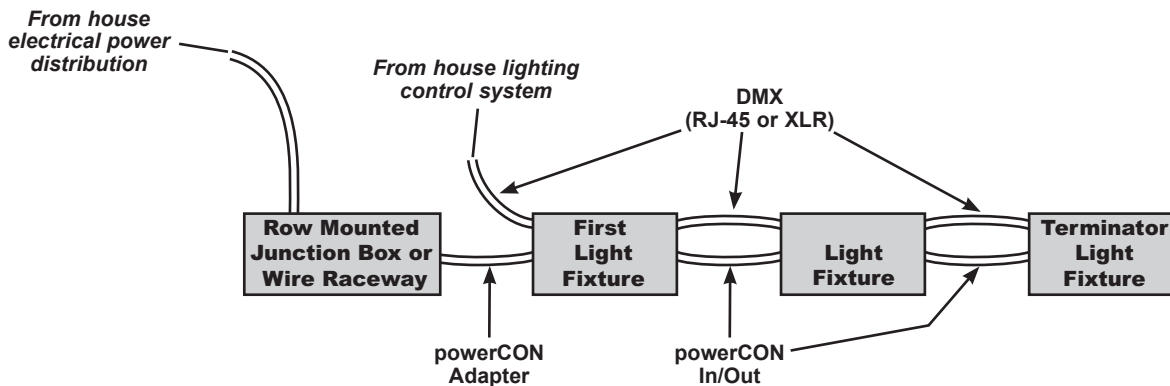
NOTICE

Ensure the supply voltage meets the Novara LED light fixture requirements before securing connections. The Novara light fixture requires non-dimmed mains power in the range of 100-240VAC 50/60Hz.

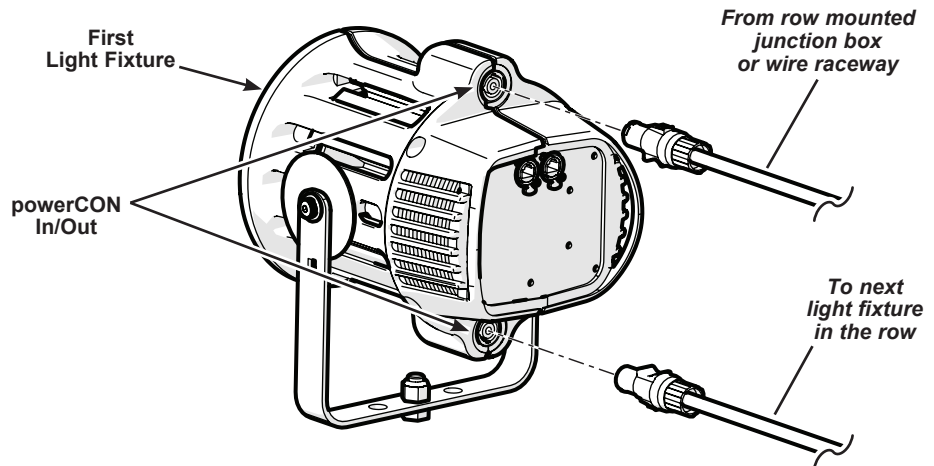
4. Power up the light fixture to ensure proper connections.

CAUTION

Do not connect or disconnect the LED powerCON connector under load.



Daisy Chain Multiple LED Lights



Novara LED Light Fixture Electrical Connection



See the following procedures for light use and troubleshooting.
For light fixture installation, go to page 3.

Adjustment and Aiming

The angle of the LED array can be adjusted at each light fixture.

To adjust the up and down angle:

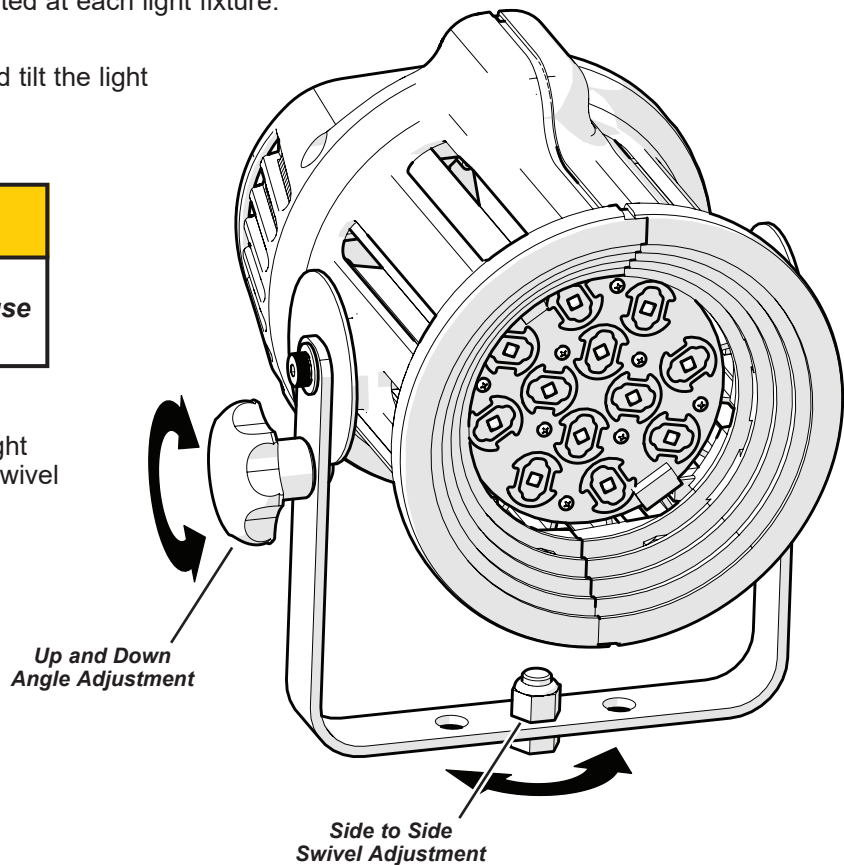
1. Loosen the side adjustment knob and tilt the light fixture to the desired angle.
2. Re-tighten the side adjustment knob.

CAUTION

Only tighten the adjustment knob by hand. Use of tooling could cause damage.

To adjust the side to side swivel:

1. Loosen the hardware securing the light fixture to the mounting bracket and swivel the light fixture to the desired angle.
2. Re-tighten the hardware.



Additional Information

Care and Maintenance

WARNING

The light fixture must be disconnected from the site's power supply before any maintenance is performed.

Periodically remove dust and debris from the surface and lower light diffuser for optimal appearance and performance.

Storage Information

The light fixture must be kept in the original shipping container in a clean and dry location if not installed/used.

The light fixture must be stored in a controlled environment, with adequate air circulation, and be protected by sunlight, dirt, water, and condensation.

The optimal storage temperature is: 32°F to 125°F (0°C to 51.67°C).

Troubleshooting

Introduction

This document provides the procedural information required to troubleshoot a Wenger Novara LED Fixture in the field. The procedures will detail the steps required to accurately determine if a fixture requires further testing/maintenance at a separate location.

CAUTION

These procedures should be performed by a qualified person to avoid damage to the fixture.

Verify Power Distribution

Follow these steps to determine if there is an AC power issue with the fixture.

1. Visually inspect the incoming/outgoing AC power wiring and powerCON Input (Blue)/Output (Gray) ports for any damage.
2. Disconnect any downstream AC power wiring from the gray power output.
3. Disconnect DMX communication wiring, both IN and OUT of the fixture.
4. Energize the AC Power to the fixture.
5. The fixture should illuminate and be on at full intensity, as the fixture default programming is to be at full intensity in the presence of AC Power and no DMX communication.



Troubleshooting (continued)

Verify Power Distribution (continued)

6. If the fixture does not illuminate, confirm the installation site is providing AC power as required by the fixture (100/240 VAC).

Do not proceed to the next step if power is not being distributed properly.

7. Visually inspect the LED array, LED array wire harness, and optical lenses for any signs of damage. The array, wire harness, and optical lenses are located on the bottom of the fixture secured to the heat sink.



8. Turn off AC power to the fixture and reconnect the downstream AC power wiring to the remaining fixtures.
9. Re-energize the AC power and check the downstream fixtures to see if they are at full intensity as well.
10. If the fixture passes these checks, proceed to verify DMX communication.
11. If the fixture is not functioning, contact a Wenger Corporation Lighting Specialist.

Troubleshooting (continued)

Verify DMX Communication

Follow the steps below to determine if there is a DMX communication issue with the fixture.

NOTICE

This procedure can not be performed until AC power is connected to the fixture and functioning correctly.

1. Disconnect the fixture from the DMX lines (Input/Output) and observe the fixture operation. The fixture should go to full power/output.
2. Visually inspect the DMX communication input receptacles (RJ-45 or XLR) for any visible signs of damage such as broken/bent pins or prongs.



3. Visually inspect the on-site DMX communication wire for any physical damages.
4. Connect **ONLY** the input DMX line and check for DMX control (dimming operation) utilizing a DMXcat or other DMX/RDM control method.
5. Change the DMX address of the fixture using a DMXcat or other DMX/RDM control method.
6. Verify that the DMX address was recorded in the fixture by dimming only the new address.
7. Connect any downstream fixtures and confirm DMX operation of remaining fixtures.
8. Ensure the sites DMX communication wire is terminated/ended with a resistor at the end of the DMX communication line.
9. If the fixture is not responding to DMX communication, contact a Wenger Corporation Lighting Specialist.